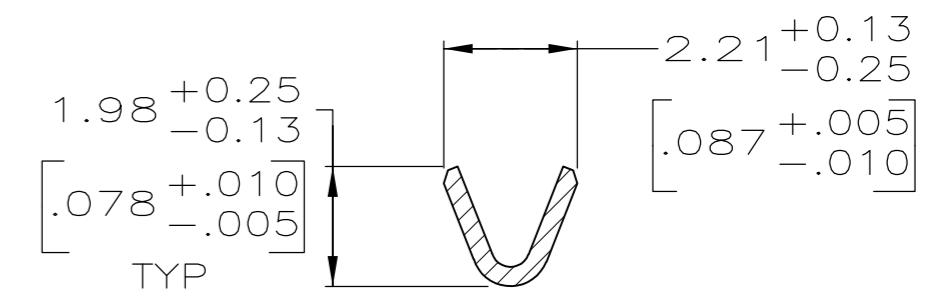
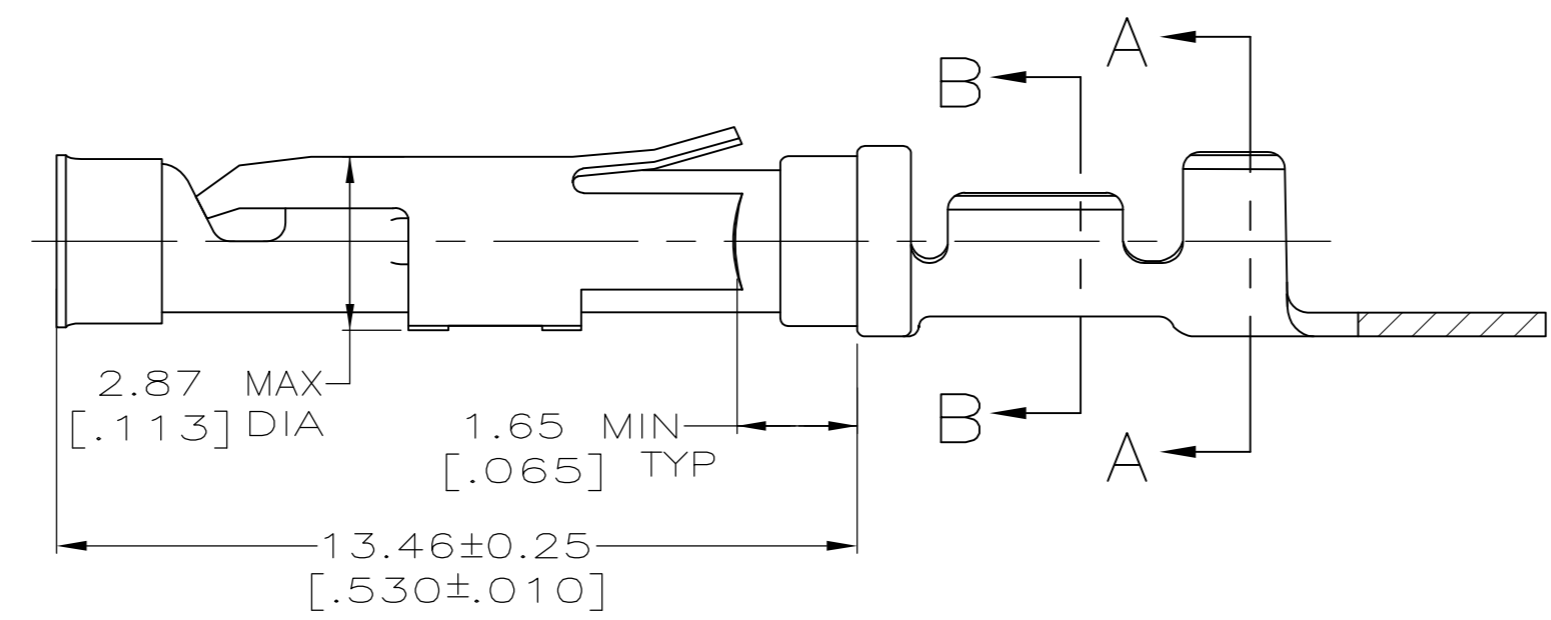
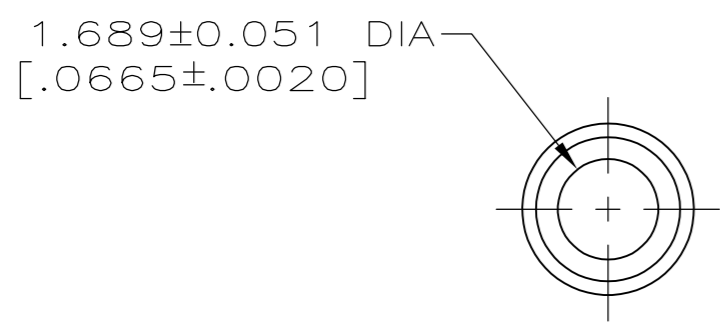
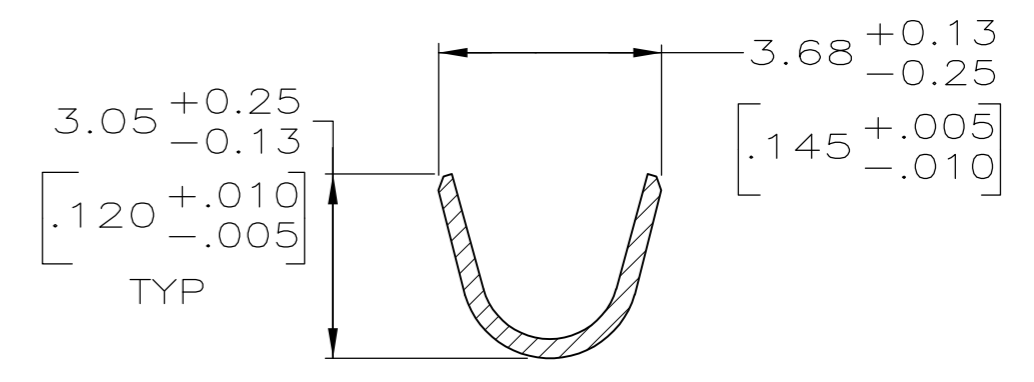
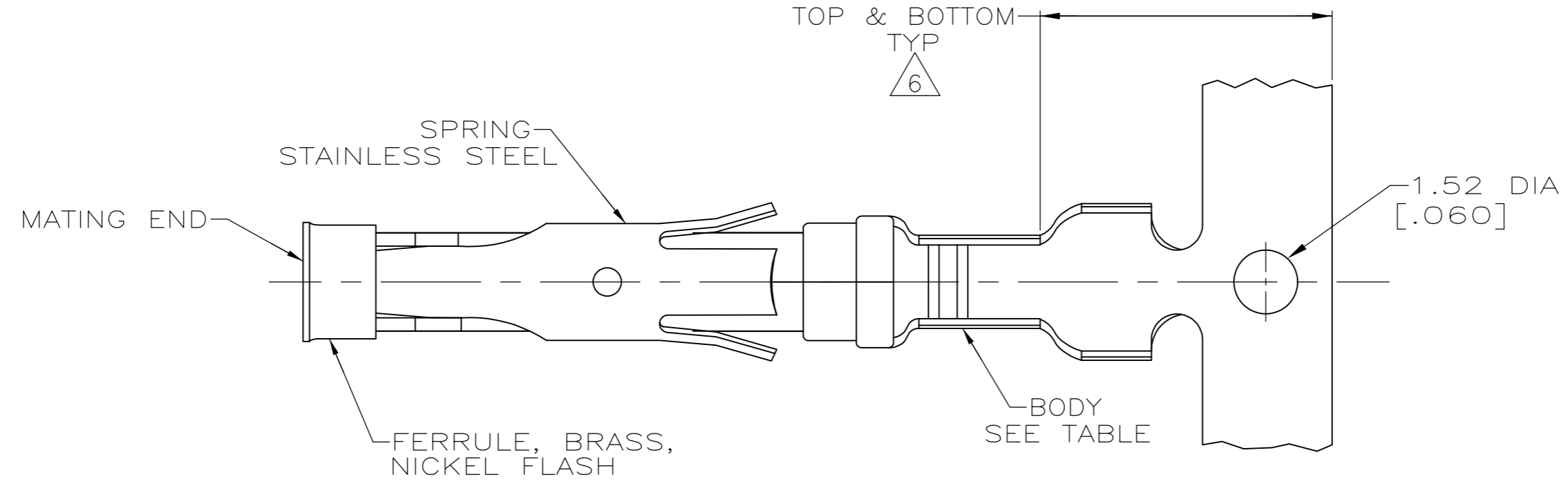


THIS DRAWING IS UNPUBLISHED. RELEASED FOR PUBLICATION
 © COPYRIGHT - By - ALL RIGHTS RESERVED.

LOC	DIST	REVISIONS					
FT	0	P	LTR	DESCRIPTION	DATE	DWN	APVD
		Y		REVISED PER ECO-12-012320	04JUL12	KH	MZ



- 1 0.76µm [.000030] MIN GOLD PER MIL-G-45204 ON MATING END FOR A LENGTH OF 5.08 [.200] MIN WITH 1.27µm [.000050] MIN MATTE TIN PLATE IN WIRE CRIMP AREA, BOTH OVER 0.76µm [.000030] MIN NICKEL PER QQ-N-290.
- 2 1.27µm [.000050] MIN TIN-LEAD PER MIL-T-10727 OVER 0.76µm [.000030] MIN NICKEL PER QQ-N-290.
- 3 0.76µm [.000030] MIN GOLD PER MIL-G-45204 ON MATING END FOR A LENGTH OF 5.08 [.200] MIN WITH A UNIFORM GRADIENT TO 0.25µm [.000010] MIN GOLD PER MIL-G-45204 ON THE REMAINDER OVER 0.76µm [.000030] MIN NICKEL PER QQ-N-290.
- 4 0.38µm [.000015] MIN GOLD PER MIL-G-45204 ON MATING END FOR A LENGTH OF 5.08 [.200] MIN WITH 1.27µm [.000050] MIN MATTE TIN PLATE IN WIRE CRIMP AREA, BOTH OVER 0.76µm [.000030] MIN NICKEL PER QQ-N-290.
- 5 1.27µm [.000050] MIN GOLD PER MIL-G-45204 ON MATING END FOR A LENGTH OF 5.08 [.200] MIN WITH GOLD FLASH ON REMAINDER OVER 0.76µm [.000030] MIN NICKEL PER QQ-N-290.
- 6 GOLD PLATING NEED NOT APPEAR IN THIS AREA.
- 7 REVERSE REELED FOR MINI-APPLICATOR.
- 8 WIRE RANGE 24-20 AWG. INSULATION RANGE 2.03 [.080]-2.54 [.100].
- 9 NOT RELEASED, AMP HOLLAND USE ONLY
- 10 0.38µm [.000015] MIN GOLD PER MIL-G-45204 ON MATING END FOR A LENGTH OF 5.08 [.200] MIN, 1.27µm [.000050] MIN TIN-LEAD PER MIL-T-10727 FOR A LENGTH OF 5.69 [.224] MIN ON OPPOSITE END, BOTH OVER 1.27µm [.000050] MIN NICKEL PER QQ-N-290 ON ENTIRE CONTACT.
- 11 1.27µm [.000050] MIN TIN PER MIL-T-10727 OVER 0.76µm [.000030] MIN NICKEL PER QQ-N-290.
- 12 OBSOLETE PARTS: OBSOLETE CIS STREAMLINING PER D.RENAUD/D.SINISI

STANDARD	11	BRASS	1-66399-0	1-66331-5
7	11	BRASS	1-66399-0	1-66331-4
12	7	PHOSPHOR BRONZE	-	1-66331-3
OBSOLETE	7	BRASS	66399-5	1-66331-2
OBSOLETE	7	BRASS	-	1-66331-1
	-	BRASS	-	9 1-66331-0
OBSOLETE	-	BRASS	-	9 -66331-9
	7	BRASS	66399-4	66331-8
	7	BRASS	66399-3	66331-7
	7	BRASS	66399-2	66331-6
	7	BRASS	66399-1	66331-5
STANDARD	1	BRASS	66399-4	66331-4
STANDARD	3	BRASS	66399-2	66331-2
STANDARD	2	BRASS	66399-1	66331-1
REELING	BODY FINISH	BODY MATERIAL	LOOSE PIECE REF	PART NO.

THIS DRAWING IS A CONTROLLED DOCUMENT.

DWN R.SHIREY 08/06/91		TE Connectivity
CHK R.STONE 9-19-91		NAME
APVD J.WESTMAN 9-20-91		SOCKET ASSEMBLY, .062, TYPE III+
PRODUCT SPEC		SIZE CAGE CODE DRAWING NO RESTRICTED TO
MATERIAL SEE CALLOUTS	FINISH SEE CALLOUTS	WEIGHT - A2 00779 C=66331
CUSTOMER DRAWING		SCALE 8:1 SHEET 1 OF 1 REV Y